



NUMAFLEX™

FITTINGS

United Conveyor Corporation's NUMAFLEX™ Fittings prevent material build-up and blockage in the pneumatic conveying of dry scrubber ash. Due to its high calcium content, dry scrubber ash will build up and harden in the presence of moisture. Thermal and elastic properties of NUMAFLEX material reduce condensation while flexing during normal conveying cycles to loosen surface buildup. Suitable for high temperature and high pressure applications, NUMAFLEX Fittings outperform carbon steel and cast iron elbows in dry scrubber applications.

FEATURES

- Material: EPDM
- Reinforcement Material: Nylon
- Pipe Ends: 150# ANSI flange bolt circle
- Maximum Working Pressure: 50 psi
- Maximum Working Temperature: 300 °F
- Centerline Radius Sweep: 30 inches
- Wall Thickness: 1 inch
- 45 degree and 90 degree elbows

ADVANTAGES

- **Reduced Material Build-up and Blockage**
 - › Superior resistance to ash buildup versus carbon steel or cast iron elbows in dry scrubber applications
 - › Long radius sweep reduces pressure drop, turbulence and material build-up resulting in increased capacity
 - › Low material thermal coefficient reduces condensation and ash build-up
 - › Elastic material flexes during normal conveying cycles to loosen any surface buildup
- **Cost-Effective Alternative to Insulating or Heat Tracing Elbows**
- **Simple and Fast Installation**
 - › Drop in replacement with industry standard 150# ANSI inlet and outlet flanges
 - › Popular sizes are in-stock and ready for immediate delivery

90° Elbow

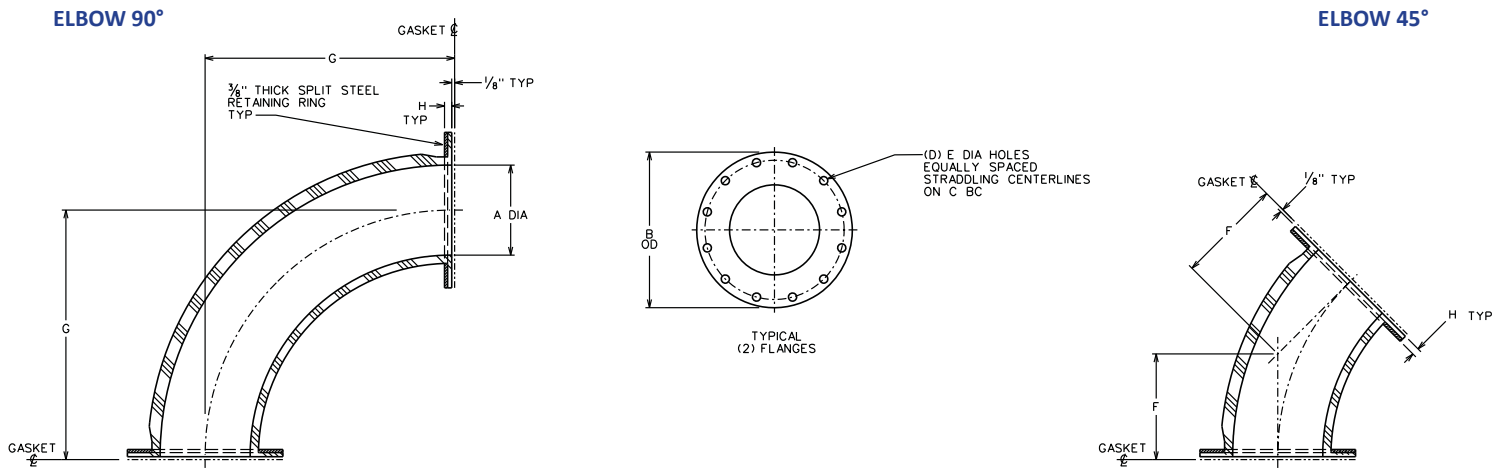


45° Elbow



NUMAFLEX™

FITTINGS

 Technical Data Sheet
 TDS09-02


PIPE SIZE	DIM. A	DIM. B	DIM. C	DIM. D	DIM. E	DIM. F	DIM. G	DIM. H	EST WT. (LBS)	
									45°	90°
6"	6"	11"	9½"	8	7/8"	12½"	30¾"	7/8"	20	45
7"	7"	13½"	11¾"	8	7/8"	12½"	30¾"	7/8"	22	50
8"	7¾"	13½"	11¾"	8	7/8"	12½"	30¾"	7/8"	24	55
9"	9"	15½"	13¾"	8	7/8"	12½"	30¾"	7/8"	28	61
10"	10"	16"	14¼"	12	1"	12½"	30¾"	7/8"	30	67
11"	11"	19"	17"	12	1"	12¾"	30¾"	7/8"	35	80
12"	12"	19"	17"	12	1"	12½"	30¾"	7/8"	39	88
14"	14"	21"	18¾"	12	1⅛"	12½"	30¾"	7/8"	48	110

ORDERING INFORMATION

Please reference UCC Drawing: No. 2-1710-365

UNITED CONVEYOR CORPORATION

United States
 2100 Norman Drive West
 Waukegan, IL 60085
 contactucc@unitedconveyor.com

Europe
 Meterbuen 33,
 DK-2740 Skovlunde
 Denmark

India
 11 Shakespeare Sarani
 (5th - 6th Floor)
 Kolkata 700 071 India

China
 Unit 910, Tower B, SOHO
 88 Jianguo Road
 Chaoyang District
 Beijing, China 100022